

IMPORTANT: READ THE FOLLOWING INFORMATION BEFORE OPERATING YOUR:

BAL[®]

RV PRODUCTS GROUP

20" and 24" TELESCOPIC STABILIZING JACK

FOR USE ON TRAVEL TRAILERS AND 5TH WHEEL TRAILERS

INSTALLATION AND OPERATING INSTRUCTIONS



THIS TELESCOPIC STABILIZING JACK IS DESIGNED FOR:
FINE LEVELING AND STABILIZING TRAVEL TRAILERS AND 5TH WHEEL TRAILERS.

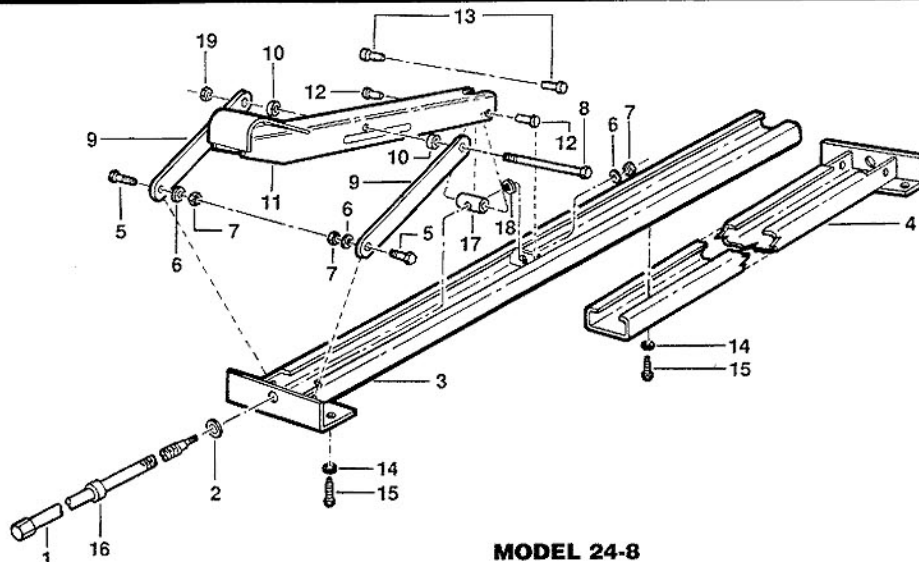


SAFETY WARNINGS:



- **DO NOT** ATTEMPT TO USE THIS STABILIZING JACK TO LIFT EXCESSIVE WEIGHT OR TIRES OFF OF THE GROUND - VEHICLE FRAME AND DOOR JAM DAMAGE MAY OCCUR. USE ONLY STOCK HANDLE SUPPLIED.
- **DO NOT** ATTEMPT TO USE THIS STABILIZING JACK FOR ANY PURPOSE OTHER THAN ITS INTENDED DESIGN.

PARTS LIST



MODEL 20-8

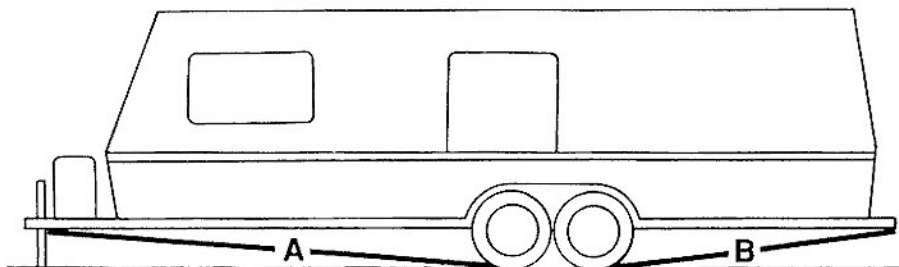
MODEL 24-8

INDEX NO.	PART NO.	DESCRIPTION
1	801021	Drive Screw (20-8)
2	2021	Washer
3		Narrow Channel Assembly
	841017	20" new style, 2 3/8" wide
4		Wide Channel Assembly
	841018	20" new style, 2 5/8" wide
5	11028	Hex Head Bolt
6	2032	Washer
7	1014	Lock Nut
8	11039	Hex Head Bolt, 4 1/4" long
9	801048	20" Side Stay
10	5021	Spacer, Narrow half
	5022	Spacer, Wide half
11	801090	20" Leg, 1 1/2" wide
12	801039	Narrow Trunion Pin
13	801051	Wide Trunion Pin
14	2023	Star Washer
15	3024	1" Mounting Screw
16	801028	Collar
17	801022	Trunion
18	801017	Washer
19	801053	Lock Nut

INDEX NO.	PART NO.	DESCRIPTION
1	801034	Drive Screw (24-8)
2	2021	Washer
3		Narrow Channel Assembly
	841012	24" Narrow Channel
4		Wide Channel Assembly
	841013	24" Wide Channel
5	11028	Hex Head Bolt
6	2032	Washer
7	1014	Lock Nut
8	11016	Hex Head Bolt, 3/8" x 4 1/2"
9	801049	24" Side Stay
10	5001	Spacer, Narrow half
	5019	Spacer, Wide half
11	801110	24" Leg
12	801026	Narrow Trunion Pin
13	801036	Wide Trunion Pin
14	2023	Star Washer
15	3024	1" Mounting Screw
16	801028	Collar
17	801024	Trunion
18	801017	Washer
19	1014	Lock Nut

DETERMINING CORRECT MOUNTING LOCATION

NOTE: CHECK GROUND CLEARANCE PRIOR TO INSTALLATION.



TRAVEL TRAILER AND 5TH WHEEL TRAILER MOUNTING PLACEMENT

WHEN SELECTING PLACEMENT FOR INSTALLATION...

- Be sure that there is adequate ground clearance.
- Be sure that drive screw is accessible.

STEP 1: PARK ON LEVEL GROUND

FRONT: Draw a string from the front corner of the trailer frame to the bottom of the front tire (A).

REAR: Draw a string from the bottom of the back tire to the back corner of the trailer frame (B).

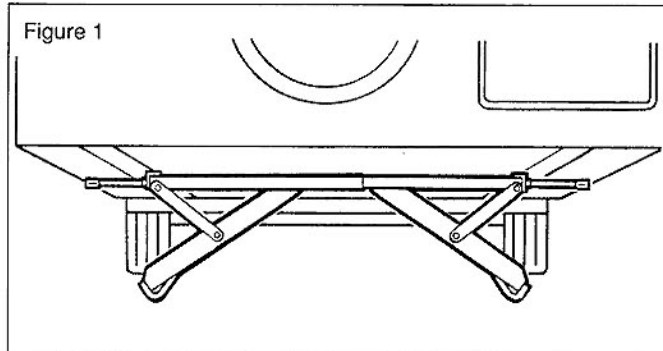
NOTE: ANY OBJECT PROTRUDING BELOW THESE LINES CAN BE DAMAGED, DRAGGED OFF OR DESTROYED IN UNEVEN TERRAIN (ENTERING OR EXITING DRIVEWAYS, DRIVING OFF ROAD, ETC.)

INSTALLATION

MODELS 20-8 & 24-8

Tools required: hammer, center punch, drill motor, 13/64" diameter drill bit, 3/8" socket and ratchet.

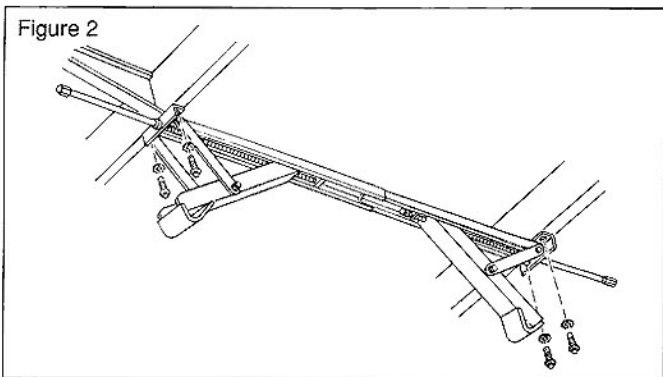
NOTE: Park trailer on level ground. Prevent wheels from rolling by using tire chocks, landing gear, or tongue jack.



BOLT-ON INSTALLATION

STEP 1. Remove stabilizer from package and slide channel halves together. Crank stabilizers open so they fit under the trailer frame at determined location. Then slide entire assembly under trailer, position at desired location and crank open so stabilizers contact the trailer frame and stabilizer assembly supports itself (Figure 1).

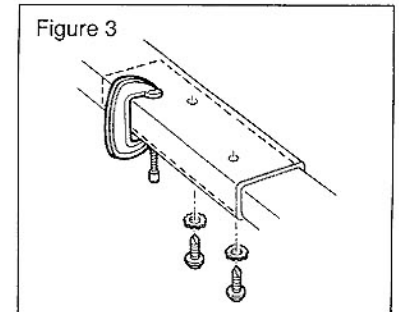
(NOTE: If the telescopic channel is too wide for the trailer frame, the inner channel can be cut. Be sure to maintain at least a 6" overlap between the inner and outer channels.)



STEP 2. With the stabilizer in the desired location, use the mounting plates as a template. Mark the mounting hole locations on the trailer frame with a center punch. Drill (2 each) 13/64" holes into the trailer frame at each end of the stabilizer assembly corresponding to the holes in the mounting plates.

STEP 3. Using the 3/8" socket and ratchet, attach the stabilizer to the trailer frame with four mounting screws and star washers (Figure 2).

STEP 4. Using a small "C" clamp to hold channels in place, drill (2) 13/64" dia. holes in the overlap area through both channels. Using a 3/8" socket, run the 1" mounting screws with star washers (supplied) into place (Figure 3).

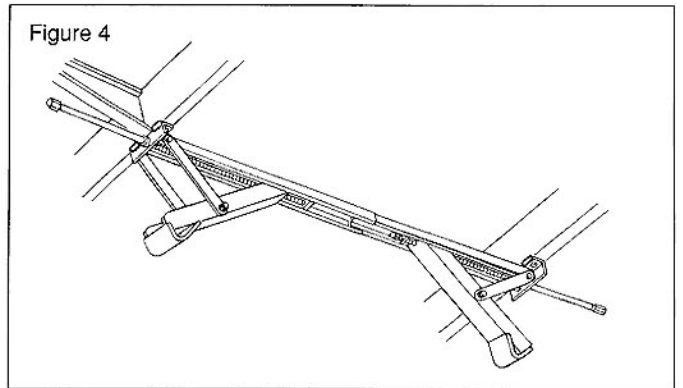


STEP 5. Make sure stabilizers are cranked up before moving trailer.

WELD-ON INSTALLATION

STEP 1. Refer to Step 1 of Bolt-On Installation.

STEP 2. With stabilizer in desired location, clamp in place and weld (4) 1" welds near mounting holes as shown (Figure 4).



STEP 3. Using a small "C" clamp to hold channels in place, drill (2) 13/64" dia. holes in the overlap area through both channels. Using a 3/8" socket, run the 1" mounting screws with star washers (supplied) into place (Figure 3).

STEP 4. Make sure stabilizers are cranked up before moving trailer.

OPERATION

STEP 1. Park RV on level ground, prevent wheels from rolling by using tire chocks.

STEP 2. Level trailer fore and aft using tongue jack or landing gear.

STEP 3. Check level gauge for low side of trailer, crank down stabilizers on low side first, bringing the trailer to a fine level position.

STEP 4. Crank down stabilizers on opposite side of

trailer to insure maximum stability. Then re-snug stabilizers on low side of trailer if necessary.

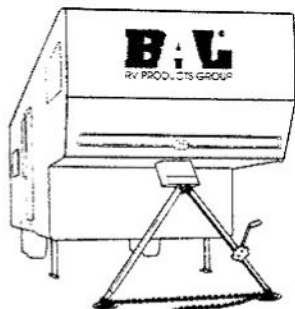
NOTE - BEFORE MOVING TRAILER: Crank up stabilizers to fully closed position and tighten 1/4 turn to secure in travel position (this prevents stabilizers from working open due to road vibration).

MAINTENANCE: Use small amounts of WD-40 or similar lubricant on drive screw threads and bolt locations as required.

OTHER FINE BAL PRODUCTS

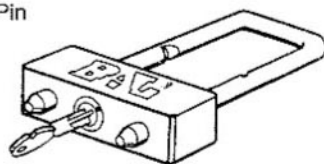
KING PIN STABILIZING JACK

- Maximum stability for frame overhang
- Sets up in seconds
- Simple to operate
- Heavy duty construction includes heat treated jack post
- Lightweight, easy to store
- Chrome Jacking Handle with rubber grip
- Large diameter Base Pads, heavy duty chain and hooks



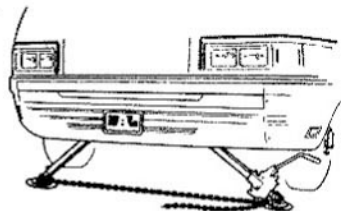
KING PIN LOCK

- Prevents 5th wheel trailer-hitch hook up
- Locks BAL 5th Wheel King Pin Stabilizing Jack to the king pin to prevent theft of BAL Stabilizing Jacks
- Chrome plated
- Die cast for long life
- 2 position lock
- Patented star key design



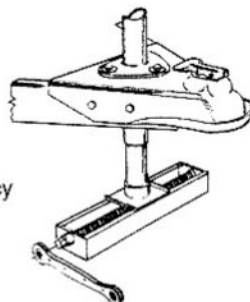
RV STABILIZING JACKS

- Maximum stability up to 36" from the ground to frame
- Heavy duty construction, rust inhibitive coating
- Lightweight and easy to store
- Two piece chrome jacking handle with rubber grip



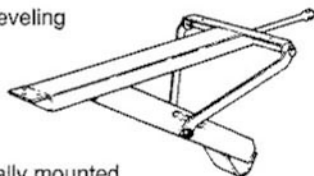
TONGUE TWISTER

- Eliminates trial and error hitch alignment
- Side to side or diagonal placement moves trailer any direction with pin-point accuracy
- Chrome plated ratchet wrench moves trailer with ease
- Rust inhibitive coating



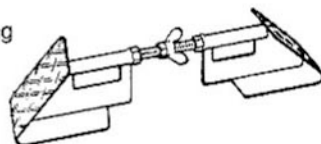
"T" TYPE STABILIZING JACKS

- Provides stability and fine leveling
- Attaches to trailer frame, front or rear
- Easy to install
- 2000 lbs. static load per individual jack
- "T" Type jacks are individually mounted to trailer-frame crossmember



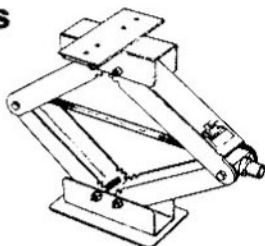
TIRE LOCKING CHOCKS

- Locks tandem wheels by applying opposing force to tires
- Prevents trailer from rolling
- Aids in trailer stabilizing, stops tire shift



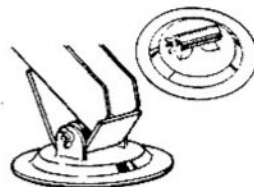
LEVELING SCISSOR JACKS

- Levels and stabilizes
- One unit fits all RV's, front or rear
- Easy to operate
- 5000 lbs. lifting capacity per jack
- Heavy duty, all steel construction
- Rust inhibitive coating




STABILIZER BASE PADS

- 7-1/4" diameter provides a firm footing on loose ground
- Easy to install, all hardware supplied
- Rubber sleeve prevents rattle during travel



BAL[®]
RV PRODUCTS GROUP

For information or parts contact: BAL RV PRODUCTS GROUP, A Division of Norco Industries Inc.
365 W. Victoria St., Compton CA 90220, (310) 639-4000 or (213) 636-1176

A DIVISION OF  NORCO INDUSTRIES, INC.